



Pharma Hygiene Products

PRODUCT GUIDE





About us

We are a leading supplier of high quality stainless steel process equipment ranging from standard buckets and beakers, to mixing and storage containers and custom designed bespoke vessels. All are made to pharmaceutical standards in 304 and 316L grade stainless steel, and are suitable for use in production areas, laboratories and kitchens, particularly where the highest standards of hygiene are required.

Quality Guarantee

Our customers operate to exacting standards, and our products must meet the highest standards of hygiene and reliability, whatever the production environment. All our products are manufactured from FDA approved materials, and are fully certified where required.

Sustainability

At PHP we take our environmental responsibilities very seriously. We strive to ensure that every aspect of our supply chain meets the exacting standards of our environmental policy.

Practical Advice

Our experienced and knowledgeable support team are waiting to help you, and are available Monday to Friday, between 9am and 5pm. They know our product range inside out, so can pinpoint the exact part you need or find the right solution to meet your requirements.

Pharma Hygiene Products

+44 (0)1444 472300

info@pharmahygieneproducts.com

www.pharmahygieneproducts.com

Olympus House • Mill Green Road
Haywards Heath • West Sussex
RH16 1XQ • UK



Pharma Hygiene Products Ltd
is part of the Adelphi Group
of Companies

Contents

1 Storage, mixing and transport

Mixing and storage containers, mobile frames, cans with lids, churns, buckets and pails, containers with lids, bowls and basins, trays, jacketed vessels, pressure vessels and polypropylene vessels

8 Mixers and agitators

Mobile mixers, integrated mixers and agitators

9 Measuring and pouring

Jugs, strainers, funnels and beakers

12 Utensils

Scoops, ladles, whisks, spatulas, scrapers, paddle stirrers

14 Hospital and healthcare

Instrument boxes, thermometer/tong jars and kidney dishes

15 Customised process equipment

Bespoke vessels to suit a range of applications

16 Pharmaceutical dispensing

Tablet and capsule counters, capsule fillers, suppository and pessary moulds

19 Optional modifications (fitted)

Toggle clamps, graduations, etching, mobile frames, butterfly and ball valves, taps, bibs, hose connectors, pouring spouts, handles, O-ring seals, lid holes and skirt band removal

21 Tri-Clamp fittings

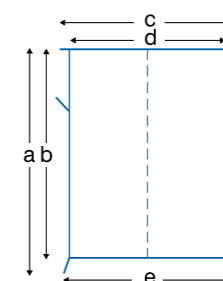
Ball valves, butterfly valves, blank caps, butterfly valve gasket seals, clamps, concentric reducers, elbows, equal tees, ferrule ends and gaskets, straight pipes and hose tail connectors



Pharma Hygiene Products offer a wide range of standard storage, mixing and transport vessels, from small bowls up to larger 200 litre tanks.

Mixing and storage containers

Manufactured from 316L and 304 grade stainless steel, these containers can be supplied either plain or graduated and come complete with side handles and skirtband. They have crevice- and pit-free interiors and are polished throughout. An optional lid is available for all sizes, and most can be integrated with a mixer.



Please also see our **Customised Process Equipment** section on page 15 for more bespoke solutions.

Item code	Capacity (litres)	a	b	c	d	e	Skirt	Handle	Grad.	Weight (kg)	Lid code	Lid weight (kg)
VES4020P	20	390	380	350	265	275	YES	SIDE	-	3.4	VEL4020P	0.6
VES*020G	20	390	380	350	265	275	YES	SIDE	5-20/5	3.4	VEL*020P	0.6
VES4025P	25	390	380	380	300	305	YES	SIDE	-	3.8	VEL4025P	0.8
VES*025G	25	390	380	380	300	305	YES	SIDE	5-25/5	3.8	VEL*025P	0.8
VES4030P	30	460	445	380	300	305	YES	SIDE	-	4.4	VEL4030P	0.8
VES*030G	30	460	445	380	300	305	YES	SIDE	5-30/5	4.4	VEL*030P	0.8
VES4050P	50	560	535	435	350	355	YES	SIDE	-	6.4	VEL4050P	1
VES*050G	50	560	535	435	350	355	YES	SIDE	5-50/5	6.4	VEL*050P	1
VES4075P	75	625	600	480	400	405	YES	SIDE	-	8.5	VEL4075P	1.3
VES*075G	75	625	600	480	400	405	YES	SIDE	5-75/5	8.5	VEL*075P	1.3
VES4100P	100	675	650	520	445	455	YES	SIDE	-	12	VEL4100P	1.6
VES*100G	100	675	650	520	445	455	YES	SIDE	10-100/10	12	VEL*100P	1.6
VES4150P	150	675	650	620	550	555	YES	SIDE	-	16	VEL4150P	2.3
VES*150G	150	675	650	620	550	555	YES	SIDE	10-150/10	16	VEL*150P	2.3
VES6240P	240	890	850	730	600	625	YES	SIDE	-	26	VEL6240S	3

Notes: 1. Graduations: 5-20/5 = graduated from 5 litres to 20 litres in 5 litre intervals.
2. In the data table, replace the * with 4 if 304 grade is required, or with 6 if 316L grade is required.
3. Where no * occurs in the item code, material is 304 grade.

Options: (see key to symbols on pp 19-20)

Mobile frames

Manufactured from 304 grade stainless steel, these mobile frames are ideal for moving our mixing and storage vessels smoothly and safely, without lifting or carrying. Supplied with four castors, two with brakes, they are available with straight or angled locating flanges.



Item code	Suit vessel capacity (litres)
FRA4020*	20
FRA4025*	25
FRA4030*	30
FRA4050*	50
FRA4075*	75
FRA4100*	100
FRA4150*	150
FRA4200*	200

Cans with lids

Manufactured from either 304 or 316L grade stainless steel, these cans come complete with lids and swing handles. They have crevice- and pit-free interiors and are polished throughout.

Note: In the data table replace * with 4 if 304 grade is required, or with 6 if 316L grade is required.

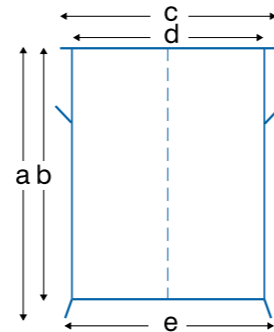
Options:



(see key to symbols on pp 19–20)



Item code	Capacity (litres)	a	b	c	d	e	Skirt	Handle	Weight (kg)
CWL*001P	1	155	150	125	100	N/A	NO	SWING	0.4
CWL*002P	2	175	170	160	130	N/A	NO	SWING	0.7
CWL*003P	3	185	180	185	155	N/A	NO	SWING	1
CWL*004P	4	200	185	186	170	173	YES	SWING	1.3
CWL*005P	5	240	230	205	175	180	YES	SWING	1.4
CWL*006P	6	280	270	205	175	180	YES	SWING	1.7
CWL*008P	8	285	270	235	200	205	YES	SWING	2
CWL*010P	10	295	280	250	220	225	YES	SWING	2.5



Churns

(A) Chemical churns

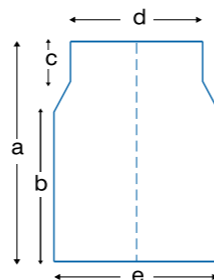


Manufactured from 316L grade stainless steel, these churns are specially designed for the storage and transportation of antibiotics and chemicals. They come complete with side carrying handles, skirtband and lid (secured by toggle clamps and a Viton® seal). They have crevice- and pit-free interiors and are polished throughout.



A Chemical churns
B Churns with swing handles
C Churns with side handles
D Churns with spout

Item code	Capacity (litres)	a	b	c	d	e	Skirt	Handle	Weight (kg)
CHU6015P	15	425	240	30	160	245	YES	SIDE	4.2
CHU6030P	30	530	300	30	200	300	YES	SIDE	7
CHU6040P	40	590	300	30	200	360	YES	SIDE	8
CHU6050P	50	700	400	30	200	360	YES	SIDE	9



(B) Churns with swing handles



Item code	Capacity (litres)	a	b	c	d	e	Skirt	Handle	Weight (kg)
CHU4003P	3	215	150	40	120	155	NO	SWING	0.9
CHU4005P	5	265	190	40	140	175	NO	SWING	1.3
CHU4010P	10	330	250	40	160	225	YES	SWING	2.7
CHU4015P	15	370	280	50	200	275	YES	SWING	3.7
CHU4020P	20	420	330	50	200	275	YES	SWING	4.1

Manufactured from 304 grade stainless steel, these churns come complete with a swing handle, skirtband and lid. They have crevice- and pit-free interiors and are polished throughout.

(C) Churns with side handles



Item code	Capacity (litres)	a	b	c	d	e	Skirt	Handle	Weight (kg)
CHU4025P	25	420	290	55	205	320	YES	SIDE	5
CHU4030P	30	485	355	55	205	320	YES	SIDE	5.5
CHU4040P	40	550	385	80	220	355	YES	SIDE	7.8
CHU4050P	50	650	480	80	220	355	YES	SIDE	8.8

Manufactured from 304 grade stainless steel, these churns come complete with side carrying handles, skirtband and lid. They have crevice- and pit-free interiors and are polished throughout. On the 40 and 50 litre versions the lid is attached with a chain.

(D) Churns with spout



Item code	Capacity (litres)	a	b	c	d	e	Skirt	Handle	Weight (kg)
CHU4005S	5	265	190	40	140	175	YES	SWING	1.6
CHU4010S	10	330	250	40	160	225	YES	SWING	2.7
CHU4015S	15	370	280	40	200	275	YES	SWING	3.7
CHU4020S	20	420	330	50	200	275	YES	SWING	4.1

Manufactured from 304 grade stainless steel, these churns come complete with swing handle, bottom steadying handle, skirtband, pouring spout and lid. They have crevice- and pit-free interiors and are polished throughout.

Options (all churns):

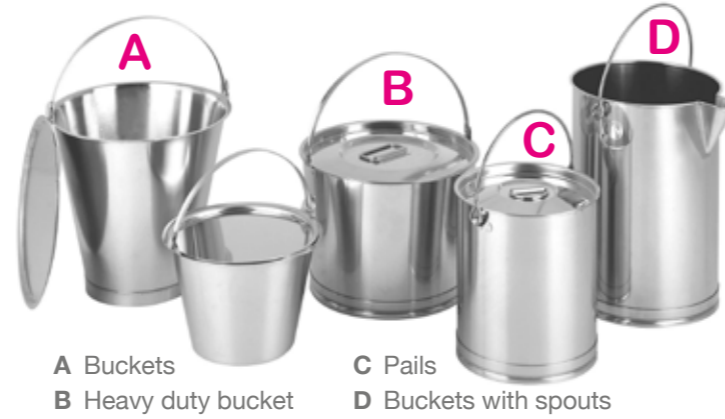


(see key to symbols on pp 19–20)

Buckets and pails

(A) Buckets

Manufactured from 304 grade stainless steel with one size available in 316 stainless steel, these buckets are polished throughout, graduated in 1 litre intervals and come complete with swing handle. Skirtbands are standard as shown. Buckets without a skirtband are available to special order. Lids are available as an option.



A Buckets
B Heavy duty bucket
C Pails
D Buckets with spouts

Item code	Capacity (litres)	a	b	c	Skirt	Handle	Grad.	Weight (Kg)	Lid Code	Lid Weight (kg)
BUC4007P	7	240	160	250	No	Swing	N/A	1	BUL4007P	0.4
BUC4008G	8	285	200	200	No	Swing	1-8/1	1.05	BUL4008P	0.55
BUC4010G	10	295	175	270	YES	SWING	1-10/1	1.4	BUL4010P	0.4
BUC4012G	12	320	210	260	YES	SWING	2-12/1	1.6	BUL4012P	0.5
BUC6012G	12	320	210	260	YES	SWING	2-12/1	1.6	BUL4012P	0.5
BUC4015G	15	325	202	340	YES	SWING	2-15/1	1.8	BUL4015P	0.6

(B) Heavy duty bucket

Manufactured from 304 grade stainless steel, this bucket is designed for heavy duty applications. It comes complete with

a skirtband and swing handle and is graduated. Interiors are crevice- and pit-free and it is polished throughout.

Item code	Capacity (litres)	a	b	c	d	e	Skirt	Handle	Grad.	Weight (kg)
BHD4015G	15	255	240	340	320	295	YES	SWING	2-15/1	2.7

(C) Pails

Manufactured from either 304 or 316L grade stainless steel, these pails come complete with a skirtband and swing

handle. They have crevice- and pit-free interiors and are polished throughout. Lids are available as an option.

Item code	Capacity (litres)	a	b	c	d	e	Skirt	Handle	Grad.	Weight (kg)	Lid code	Lid weight (kg)
PAI*010P	10	255	240	275	237	245	YES	SWING	N/A	2.1	PAL*010P	0.5
PAI*012P	12	283	273	275	237	245	YES	SWING	N/A	2.5	PAL*012P	0.5
PA*015P	15	285	275	305	267	275	YES	SWING	N/A	2.8	PAL*015P	0.6

(D) Buckets with spouts

Manufactured from 304 grade stainless steel, these straight sided buckets are graduated, come complete with pouring spout, swing handle, bottom steadying handle, and

skirtband. They have crevice- and pit-free interiors and are polished throughout. Lids that are extended to cover the spout are available as an option.

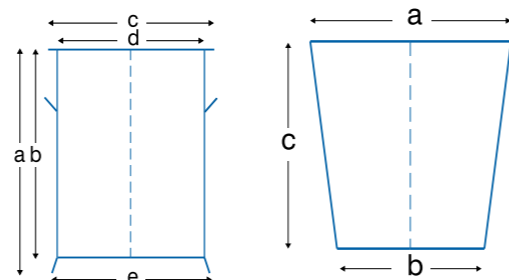
Item code	Capacity (litres)	a	b	c	d	e	Skirt	Handle	Grad.	Weight (kg)	Lid code	Lid weight (kg)
BUS4010G	10	275	265	297	237	245	YES	SWING	1-10/0.5	2.3	BSL4010P	0.5
BUS4015G	15	308	295	320	267	272	YES	SWING	2-15/0.5	2.7	BSL4015P	0.6
BUS4020G	20	395	380	328	267	272	YES	SWING	2-20/1	3.4	BSL4020P	0.6

Note: In the data tables replace the * with 4 if 304 grade is required, or with 6 if 316L grade is required.

Options (all buckets and pails):



(key to symbols on pp 19-20)



Containers and lids

Manufactured from 304 grade stainless steel, these containers are available with an optional stainless steel lid. They have crevice- and pit-free interiors and are polished throughout.



Item code	Capacity (ml)	Diameter (mm)	Depth (mm)	Weight (gm)	Lid code	Lid weight (gm)
COC4060P	150	60	60	140	COL4060P	30
COC4084P	250	85	50	175	COL4085P	60
COC4085P	400	85	85	200	COL4085P	60
COC4099P	300	100	50	200	COL4100P	75
COC4100P	700	100	100	225	COL4100P	75
COC4101P	1000	100	150	250	COL4100P	75
COC4120P	1200	120	120	535	COL4120P	90
COC4150P	2500	150	150	805	COL4150P	150
COC4200P	6000	200	200	1560	COL4200P	250

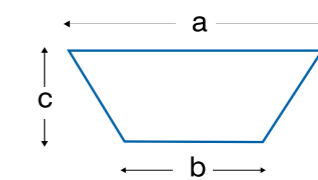
Options: (see key to symbols on pp 19-20)

Bowls and basins

(A) Standard conical bowls

Manufactured from 304 grade stainless steel, these bowls are pressed in one piece with a flat base and flat rim for ease of carrying. They are crevice- and pit-free and polished throughout.

Item code	Capacity (litres)	a	b	c	Weight (gm)
BOW40.1P	0.1	70	40	50	25
BOW40.2P	0.2	100	60	50	50
BOW40.3P	0.3	105	65	60	60
BOW40.5P	0.5	130	75	70	95
BOW4.75P	0.75	165	95	75	135
BOW4001P	1	170	95	90	140
BOW41.5P	1.5	200	115	95	190
BOW4002P	2	220	110	120	240
BOW42.5P	2.5	235	145	100	320
BOW4003P	3	250	140	120	345
BOW4004P	4	270	150	130	425
BOW44.5P	4.5	285	175	120	460
BOW4005P	5	300	170	130	495
BOW4006P	6	320	190	145	575
BOW4008P	8	335	195	170	710
BOW4009P	9	340	195	180	710
BOW4011P	11	395	210	180	950
BOW4014P	14	410	210	195	1030



A Standard conical bowls
B Low conical bowl
C Lotion bowls
D Wash basin

(B) Shallow conical bowl

Manufactured from 304 grade stainless steel, this bowl is made in one piece with a flat base and flat rim for ease of carrying. It is crevice- and pit-free and polished throughout.

Item code	Capacity (litres)	a	b	c	Weight (gm)
BOW4003L	3	275	200	75	400

(C) Lotion bowls

Manufactured from 304 grade stainless steel, these lotion bowls are supplied with a rolled top edge and flat base. They are crevice- and pit-free and polished throughout.

Item code	Capacity (litres)	a	b	c	Weight (gm)
LOB4120P	0.3	120	60	55	115
LOB4140P	0.5	140	70	65	155
LOB4180P	1	180	90	75	260
LOB4200P	1.5	200	100	80	290
LOB4220P	2	220	120	85	325
LOB4240P	3.5	240	95	110	400

(D) Wash basin

Manufactured from 304 grade stainless steel, this wash basin is supplied in one piece with a flat base and a rolled lip. It is crevice- and pit-free and polished throughout.

Item code	Capacity (litres)	a	b	c	Weight (gm)
WAB4360P	3	360	160	85	390

Trays

Shallow trays

Manufactured from 304 grade stainless steel, with several sizes available in 316L grade, these trays are supplied in one piece, with radiused corners. They are crevice- and pit-free, polished throughout, and have a rim approximately 10mm wide.



Item code	Length (mm)	Width (mm)	Depth (mm)	Weight (gm)
TRA4157S	157	162	10	165
TRA4180S	180	120	10	177
TRA4215S	215	160	10	214
TRA4230S	230	162	10	240
TRA4300S	300	200	10	404
TRA4324S	325	317	10	665
TRA4325S	325	265	10	550
TRA4326S	325	143	10	300
TRA4327S	325	234	10	495
TRA4360S	360	240	10	629
TRA4385S	385	210	10	706
TRA4400S	400	270	10	706
TRA4440S	440	325	10	1015
TRA4451S	445	350	10	1059
TRA4900S	490	320	19	1161
TRA4495S	495	325	10	1000
TRA4500S	500	162	10	530
TRA4530S	530	325	10	1150
TRA6290S	290	210	10	425
TRA6320S	320	275	10	700
TRA6415S	415	240	10	690

Deep trays

Manufactured from 304 grade stainless steel, with several sizes available in 316L grade, these trays are supplied in one piece, with radiused corners. They are crevice- and pit-free and polished throughout.

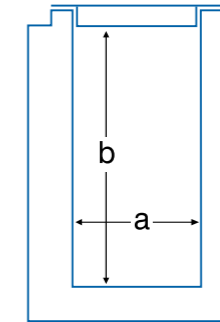
Item code	Length (mm)	Width (mm)	Depth (mm)	Weight (gm)
TRA4220D	220	150	45	310
TRA4395D	395	280	70	1000
TRA4450D	445	350	250	1135
TRA4530D	530	325	100	2050
TRA4531D	530	325	150	2375

Note: part codes beginning 'TRA4' are supplied in 304 stainless steel, part codes beginning TRA6 are supplied in 316 stainless steel.

Water jacketed vessels

These stainless steel water jacketed vessels are available in 316L stainless steel, with a 304 stainless steel 0.1 bar low pressure water jacket. They are suitable for use with a non-pressurised water supply with hot or cold water for heating or cooling. These vessels are supplied with a 1/4" BSP water inlet at the bottom of the jacket and a 1/2" BSP outlet at the top. They have crevice- and pit-free interiors and are polished throughout.

Item code	Capacity (ltr)	a (mm)	b (mm)
VEJ6002P	2	130	170
VEJ6005P	5	175	230
VEJ6006P	6	175	270
VEJ6008P	8	200	270
VEJ6010P	10	220	270
VEJ6015P	15	267	275
VEJ6020G	20	265	390
VEJ6025G	25	300	390
VEJ6030G	30	300	445
VEJ6050G	50	350	535



Trays

Shallow trays

Manufactured from 304 grade stainless steel, with several sizes available in 316L grade, these trays are supplied in one piece, with radiused corners. They are crevice- and pit-free, polished throughout, and have a rim approximately 10mm wide.



Item code	Length (mm)	Width (mm)	Depth (mm)	Weight (gm)
TRA4157S	157	162	10	165
TRA4180S	180	120	10	177
TRA4215S	215	160	10	214
TRA4230S	230	162	10	240
TRA4300S	300	200	10	404
TRA4324S	325	317	10	665
TRA4325S	325	265	10	550
TRA4326S	325	143	10	300
TRA4327S	325	234	10	495
TRA4360S	360	240	10	629
TRA4385S	385	210	10	706
TRA4400S	400	270	10	706
TRA4440S	440	325	10	1015
TRA4451S	445	350	10	1059
TRA4900S	490	320	19	1161
TRA4495S	495	325	10	1000
TRA4500S	500	162	10	530
TRA4530S	530	325	10	1150
TRA6290S	290	210	10	425
TRA6320S	320	275	10	700
TRA6415S	415	240	10	690

Deep trays

Manufactured from 304 grade stainless steel, with several sizes available in 316L grade, these trays are supplied in one piece, with radiused corners. They are crevice- and pit-free and polished throughout.

Item code	Length (mm)	Width (mm)	Depth (mm)	Weight (gm)
TRA4220D	220	150	45	310
TRA4395D	395	280	70	1000
TRA4450D	445	350	250	1135
TRA4530D	530	325	100	2050
TRA4531D	530	325	150	2375

Note: part codes beginning 'TRA4' are supplied in 304 stainless steel, part codes beginning TRA6 are supplied in 316 stainless steel.



Pressure vessels

Pharma Hygiene Products manufacture pressure vessels suitable for lab scale/small batch production environments.

The types of pressure vessel we offer are:

- Vessel with internal pressure
- Vessel with internal vacuum pressure
- Pressurised heating or cooling jacket, with liquid in the jacket, with no pressure in the vessel
- Pressurised vessel with pressurised liquid heating jacket

Please note that to fall within the necessary Sound Engineering Practice specifications, Volume multiplied by Pressure must be equal to or less than 50.

Polypropylene vessels

Pharma Hygiene Products can supply a range of mobile polypropylene vessels for products that cannot come into contact with stainless steel.

These vessels have welded seams and are supplied with drop on lids. An external stainless steel band can be added with two carrying handles to aid moving when empty. A mobile frame set on four castors (two braked) is an optional extra.

Propeller or high shear mixers can also be supplied, and the vessels are available in various sizes.

Please enquire for further information.



Mobile mixers

Manufactured from 304 grade stainless steel, with 316L grade contact parts, these mixers are designed for use with any open vessel of suitable dimensions.

Available with either a high-shear mixing head for mixing emulsions, or a propeller mixing head for mixing free dissolving powders and for general mixing.

The mixing head is mounted on a mobile stand with painted hydraulic cylinder (manually operated), and the control panel is IP55 rated and constructed from stainless steel. Mixers can be specified with 3-phase or single phase power options.

Safety interlocks and a motor shroud are further options.

Item code	Model	Operating rpm
CSP-HM	Mobile high-shear mixer	2900
CSP-PM	Mobile propeller mixer	1400



Integrated mixers and agitators

Pharma Hygiene Products can supply a wide variety of mixers and agitators, and mount them on our standard and custom vessels and containers to meet your specific requirements.

We offer high-shear mixers for mixing emulsions, propeller mixers for free dissolving powders, as well as general mixing, and slow agitators for keeping products suspended. All can be supplied in varying power and speed specifications.

Please enquire for further information.



Pharma Hygiene Products offer a range of stainless steel measuring and pouring equipment. Quality of material and construction is what sets us apart from our competitors.



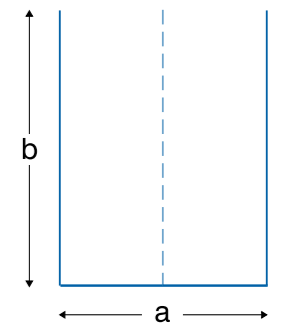
Measuring jugs

Heavy duty measuring jugs (A)

Manufactured from 304 and 316L grade stainless steel, these jugs are straight sided, graduated and come with a pouring spout and closed side handle. They have crevice- and pit-free interiors and are polished throughout.

Item code	Capacity (litres)	a	b	Handle	Graduation	Weight (gm)
JUM*0.5G	0.5	75	135	SIDE	0.1-0.5/0.1	285
JUM*001G	1	100	135	SIDE	0.2-1/0.2	475
JUM*002G	2	135	170	SIDE	0.2-2/0.2	690

Note: In the item code above replace the * with 4 if 304 grade is required, or with 6 if 316L grade is required.

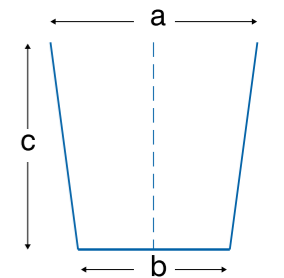


Light duty measuring jugs (B)

Manufactured from 304 grade stainless steel, these jugs are tapered and come with either an open or closed handle. They are graduated in pints and litres, have crevice- and pit-free interiors and are polished throughout. The option of rimmed feet is available with the closed handle version from 0.5 litre upwards.

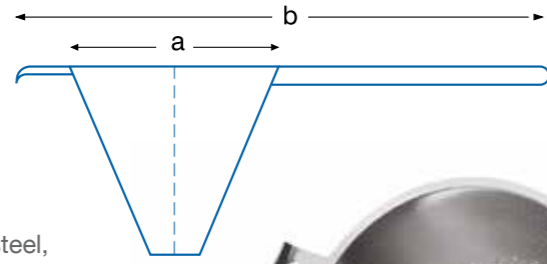
Item code	Capacity (litres)	a	b	c	Handle	Graduation	Weight (gm)
MEA40.1G	0.1	75	40	45	OPEN	0.05-0.1/0.05	40
MEA4.25G	0.25	100	50	70	OPEN	0.05-0.25/0.05	65
ME*40.5G	0.5	120	60	110	OPEN/CLOSED	0.05-0.5/0.1	120
ME*4001G	1	150	75	135	OPEN/CLOSED	0.1-1/0.1	200
ME*41.5G	1.5	155	85	150	OPEN/CLOSED	0.1-1.5/0.1	290
ME*4002G	2	170	85	200	OPEN/CLOSED	0.2-2/0.1	320

Note: In the item code above replace the * with an A if an open handle is required, or with a C if a closed handle is required. For a rimmed foot, replace G with R.



Conical strainers

Manufactured from 304 grade stainless steel, these strainers are made from a one-piece body with a rolled top edge, and come complete with a long straight handle and a hanging hook. They are polished throughout.

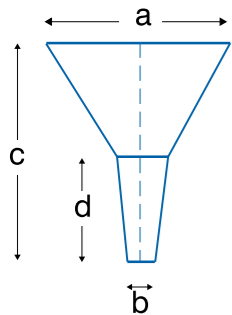


Item code	a (mm)	b (mm)	Weight (gm)
STR4100P	65	100	80
STR4120P	90	120	110
STR4140P	110	140	135
STR4160P	145	160	260
STR4185P	170	185	290
STR4200P	175	200	350
STR4230P	210	230	430
STR4270P	255	270	740

Funnels with fixed strainers

Pharma Hygiene Products' funnels with roll tops and built-in fixed strainers are available in 304 grade stainless steel.

Item code	a (mm)	b (mm)	c (mm)	d (mm)	Weight (gm)
FUN4109P	90	13.5	120	61	10
FUN4112S	120	16	135	55	10
FUN4116S	160	16	175	61	25
FUN4120S	200	16	230	80	30
FUN4125S	250	16	275	76	50



Beakers

Light duty beakers (A)

Manufactured from 304 grade stainless steel, these beakers are made in one piece. They are crevice- and pit-free and polished throughout.

Heavy duty beakers (B)

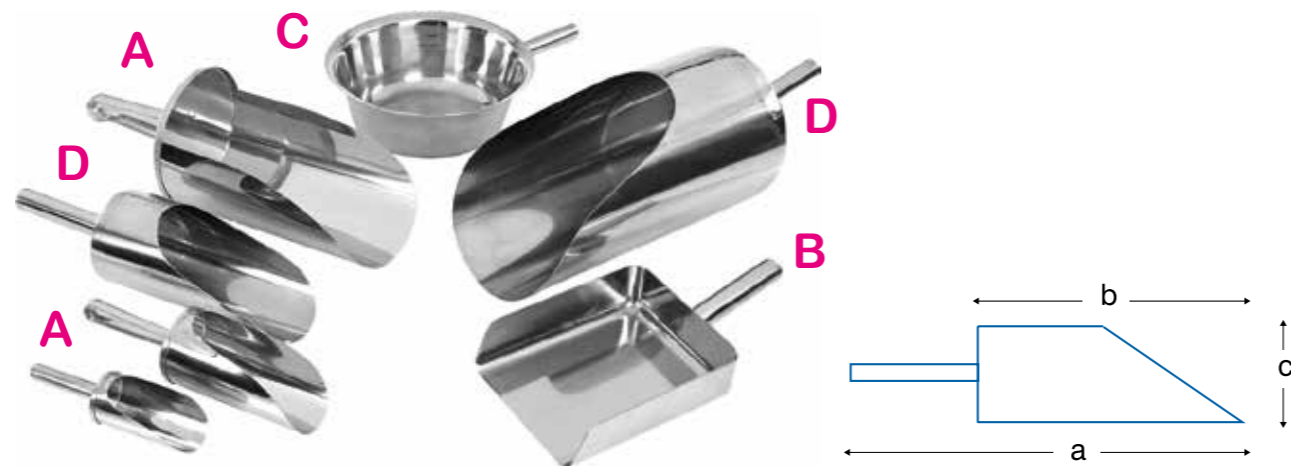
Manufactured from 304 grade stainless steel, these beakers are made in one piece with a rolled over lip. They are crevice- and pit-free and polished throughout.



Item code	Capacity (ml)	Diameter (mm)	Depth (mm)	Weight (gm)
BEA4015C	150	60	60	110
BEA4025C	250	85	50	115
BEA4030C	300	100	50	200
BEA4040C	400	85	85	210
BEA4070C	700	100	100	325
BEA4100C	1000	100	150	335
BEA4125C	1250	120	120	445
BEA4250C	2500	150	150	655
BEA4600C	6000	200	200	1310

Item code	Capacity (ml)	Diameter (mm)	Depth (mm)	Weight (gm)
BEA4020P	200	60	75	105
BEA4035P	350	65	115	170
BEA4070P	700	75	165	290
BEA4100P	1000	110	125	300
BEA4125P	1250	100	165	360
BEA4200P	2000	125	180	500
BEA4250P	2500	150	160	600
BEA4500P	5000	185	220	1025

Pharma Hygiene Products offer a range of stainless steel utensils which are widely used in the pharmaceutical, healthcare, cosmetics and food and beverage industries.



Scoops

Light duty scoops (A)

Manufactured from 304 grade stainless steel.

Item code	Capacity (litres)	a	b	c	Handle	Weight (gm)
SCO4.15P	0.15	180	100	50	ROUND	100
SCO40.5P	0.5	260	150	75	BAND	195
SCO41.2P	1.2	330	195	100	BAND	310
SCO4200P	2	380	230	120	BAND	470
SCO4300P	3	400	250	160	BAND	625

Baler scoop (C)

Manufactured from 316L grade stainless steel, this scoop is crevice- and pit-free and polished throughout.

Item code	Capacity (litres)	a	b	c	Handle	Weight (gm)
BSC6000P	2	345	245	90	ROUND	930

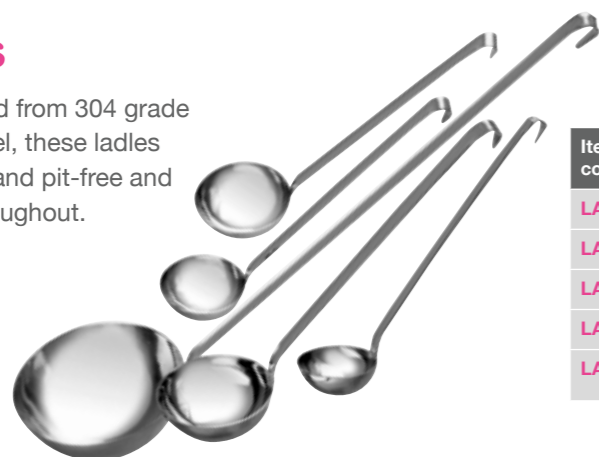
Heavy duty scoops (D)

Manufactured from 316L grade stainless steel, these scoops are crevice- and pit-free and polished throughout.

Item code	Capacity (litres)	a	b	c	Handle	Weight (gm)
CFS600.5P	0.5	288	168	60	ROUND	290
CFS6001P	1	340	220	100	ROUND	465
CFS6002P	1.5	360	235	115	ROUND	585
CFS6200P	2	385	260	130	ROUND	785
CFS6004P	4	450	330	150	ROUND	1300

Ladles

Manufactured from 304 grade stainless steel, these ladles are crevice- and pit-free and polished throughout.



Item code	Capacity (litres)	Handle length (mm)	Weight (gm)
LAD4120P	120	280	125
LAD4150P	150	285	150
LAD4200P	200	285	160
LAD4300P	300	345	210
LAD4340P	340	350	250



Whisks, spatulas and scrapers

Heavy duty whisks (A)

Manufactured from 304 grade stainless steel.

Item code	Length (mm)	Weight (gm)
WHI4300HD	300	250
WHI4350HD	350	300

Medium duty whisks (B)

Manufactured from 304 grade stainless steel.

Item code	Length (mm)	Weight (gm)
WHI4300P	300	140
WHI4350P	350	145
WHI4400P	400	150

Spatulas (C)

These stainless steel spatulas are crevice- and pit-free and polished throughout.

Item code	Length (mm)	Weight (gm)
SSP4004P	100	50
SSP4006P	150	65
SSP4008P	200	100
SSP4010P	250	150
SSP4012P	300	150

Scraper (D)

Manufactured from 316L grade stainless steel, this scraper is crevice- and pit-free and polished throughout.

Item code	Length (mm)	Weight (gm)
SCR6000P	230	200

Paddle stirrer

Manufactured from 316L grade stainless steel.

Item code	a (mm)	b (mm)	c (mm)	Weight (gm)
PAD6200	1000	125	260	1200
PAD6200-1300	1300	125	260	1500



Pharma Hygiene Products offer a range of stainless steel equipment for both private and NHS hospitals in the healthcare sector.

Instrument boxes

Manufactured from 304 grade stainless steel, these instrument boxes come complete with a lid and are polished throughout. Perforated inserts are available in some sizes.



Part number INS4225P has rounded corners rather than the usual square corners.

Box code	Length (mm)	Width (mm)	Depth (mm)	Weight (gm)	Insert code	Insert weight (gm)
INS4160P	160	100	30	300	N/A	N/A
INS4180P	180	120	50	490	N/A	N/A
INS4200P	200	100	50	515	INS4200PI	220
INS4220P	220	150	50	685	N/A	N/A
INS4280P	280	180	60	1095	INS4280PI	440
INS4420P	420	80	50	805	N/A	N/A
INS4500P	500	200	80	2100	N/A	N/A
INS4225P	225	125	50	500	N/A	N/A



Thermometer / tong jars

Manufactured from 304 grade, the body is constructed from one piece and soldered to the base. They have crevice- and pit-free interiors and are polished throughout.

Item code	Height (mm)	Diameter (mm)	Base (mm)	Weight (gm)
JAR4090P	90	30	70	90
JAR4130P	130	50	90	225
JAR4180P	180	50	90	135
JAR4200P	200	95	135	365

Kidney dishes

Manufactured from 304 grade stainless steel, these kidney dishes are of one-piece construction. They are crevice- and pit-free and polished throughout.

Item code	Length (mm)	Width (mm)	Depth (mm)	Weight
KID4017P	170	100	40	130
KID4020P	200	95	45	165
KID4025P	250	135	45	200
KID4027P	270	150	50	310



Customised process equipment

Pharma Hygiene Products can meet your needs precisely. In addition to our extensive range of standard process equipment we can supply more sophisticated process equipment, engineered to meet your exact requirements, including:

- Jacketed vessels
- Mixing vessels
- Complete processing systems
- Pressure vessels

Adapting one of our standard products often provides a cost-effective solution, but we can also design and build vessels and other equipment to your specification. Please let us know if you have a project you wish to discuss and we will arrange a discussion with one of our engineers.



Pharma Hygiene Products' range of equipment enables users to work with tablets, capsules and fluids quickly, easily and accurately.

Tablet and capsule counters

Pharma Hygiene Products supply a range of tablet and capsule counters to suit your needs.



Item code	Specification
6021100	Capsule counting tray
6020607	7" triangular tablet counter
6020610	10" triangular tablet counter
6023100	Tumatic capsule counter
6023301	Lifting-leaf tablet counter, medium
6023302	Lifting-leaf tablet counter, large

Capsule counting tray

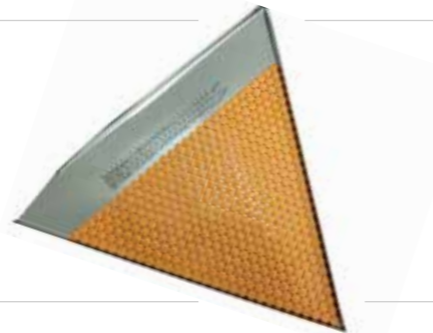
Manufactured from 304 grade stainless steel, this simple capsule counting tray has corrugations that allow 10 rows of 10 capsules up to 8 mm diameter to be counted quickly and easily. Only suitable for capsule sizes 0 to 5.

Size 175 x 88 mm. Sold in packs of 5.

Triangular tablet counter

Our range of manual triangular tablet counters are made from 304 stainless steel. They are designed for use with round tablets and allow the user to easily see the number of tablets in each batch. They can be supplied in two sizes - 7" or 10".

Sold in packs of 5.



Tumatic capsule counter

Perspex construction for visual checking and easy cleaning.

Coated and uncoated tablets up to a diameter of 1/2" and capsules up to 3/4" long can be counted using a range of 5 interchangeable perforated plates. After filling the box, surplus tablets are poured back into the bulk container.

By partially withdrawing the slide, 5 to 10 tablets – depending on tray and tablet – are dropped into the bottom for easy dispensing into bottles. Full withdrawal dispenses 50 or 100 tablets.

Lifting-leaf tablet/capsule counter

These lifting-leaf counters are suitable for coated or uncoated tablets or capsules and, depending on diameter, can be made to count up to 100 units. Made from stainless steel, anodised aluminium and polycarbonate, these counters are made to order to match the samples provided by the customer.

The counter is used like a scoop and pushed into a pile of tablets or capsules. The requisite number of units falls into the holes and the excess is shaken off. The counter is then tilted back and used as a chute for filling bottles.

*Size and count depends on unit dimensions. Please enquire for more information.



Capsule fillers

Pharma Hygiene Products supplies a range of high quality manual capsule fillers that are designed to enable the user to produce accurately filled capsules of a professional quality, in volumes of up to 9,000 per hour.



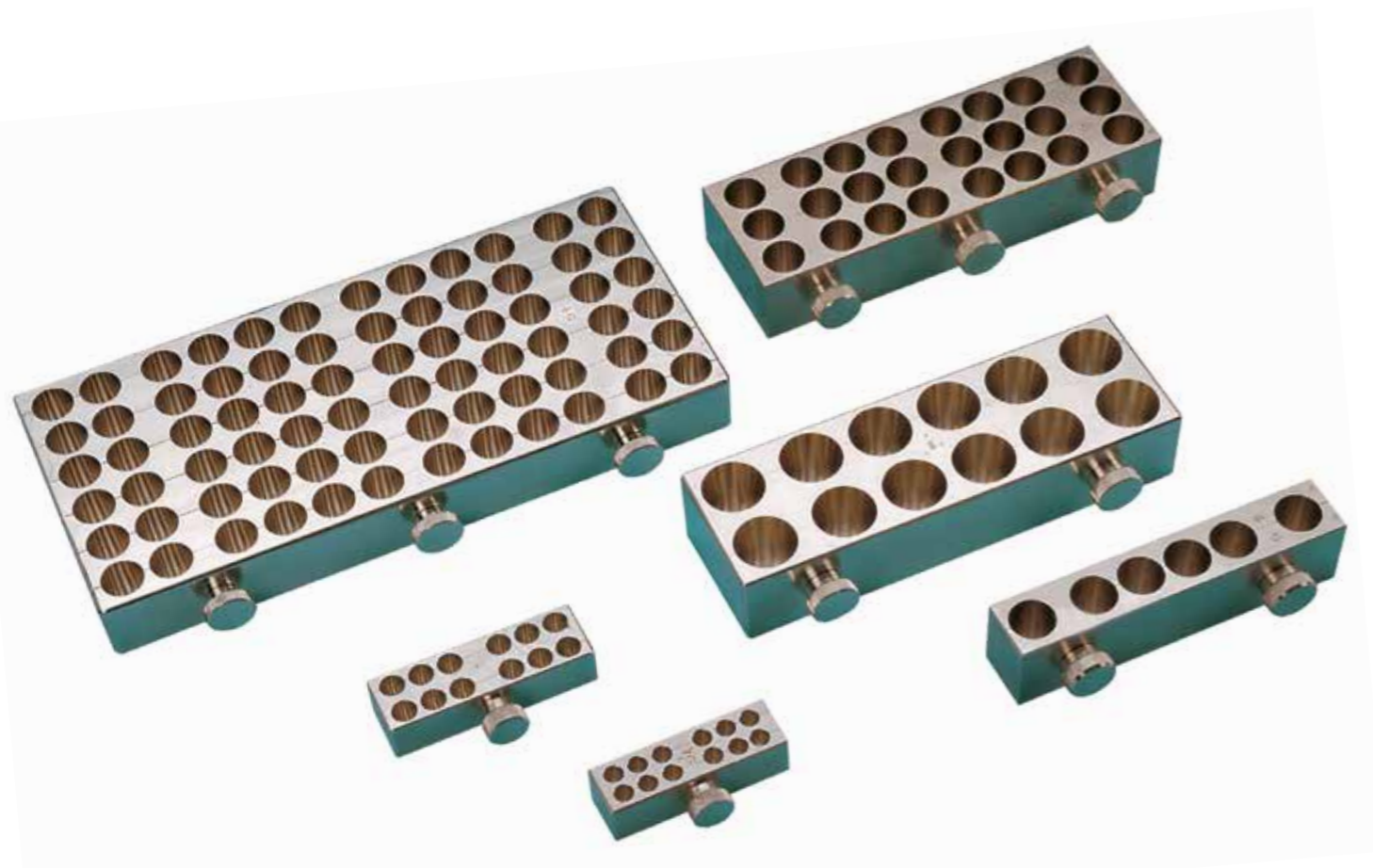
ProFiller capsule fillers

The ProFiller range of capsule fillers are capable of filling between 1,300 and 9,000 capsules per hour. They are easy to operate and are up to 35% faster than similar capsule fillers, due to their patented design.

Change parts and a full range of accessories, such as powder vibrators, are available for all models.

Please contact us for more detailed information and for the item numbers relating to each unit and set of change parts.

Model	Capacity (per cycle)	Max output (per hour)	Accuracy (USP/EP method)	Change parts sizes
PROFILLER 1100	100	3400	± 1-2%	000-5, EL
PROFILLER 1120	120	3600	± 1-2%	00-4
PROFILLER 3600	300	6900	± 1-3%	000-4, EL
PROFILLER 3700	300	9000	± 1-3%	000-5, EL, AAA-D
PROFILLER 3800	300	9000	± 1-3%	00-4



Suppository and pessary moulds

Hand made for over fifty years, these moulds are manufactured from brass that is double nickel plated, and are accurate to within 10% if a Witepsol base is used. Standard moulds are conical in shape and range from 0.25g to 8gm. Torpedo shaped moulds are available to order for sizes 1g to 4g only.

Conical mould Item code	Torpedo mould item code	Cavities	Size (gm)
6005000	N/A	6	0.25
6005001	N/A	6	0.50
6005002	6006002	6	1.00
6005003	6006003	6	2.00
6005004	6006004	6	4.00
6005005	N/A	6	8.00
6005100	N/A	12	0.25
6005101	N/A	12	0.50
6005102	6006102	12	1.00
6005103	6006103	12	2.00
6005104	6006104	12	4.00
6005105	N/A	12	8.00
6005200	N/A	24	0.25
6005201	N/A	24	0.50
6005202	6006202	24	1.00
6005203	6006203	24	2.00
6005204	6006204	24	4.00
6005402	N/A	40	1.00
6005403	N/A	40	2.00
6005404	N/A	40	4.00
6005602	N/A	70	1.00
6005500	N/A	100	0.25

Optional modifications for storage, mixing and transport containers (see pages 1–5)

Your key to our range of optional fitted modifications for product ranges in the preceding pages, where red symbols identify the modifications available. If you require modifications that are not listed below, please contact us to discuss them. Please note that separate Butterfly Valves and Ball Valves, supplied unfitted, can be found on pages 22–23.



T

Toggle clamps.

Available to secure lids. When used with O-ring seals can provide a spill proof and airtight seal.



▶10

Graduations.

Can be added to items not graduated as standard. Stamped from the outside to maintain crevice- and pit-free interior. (Note: these graduations are normally accurate to ±3%).



E

Special etching.

Any combination of letters and numbers can be etched into the surface of any item to show serial number, contents, location, etc. Logos or other graphics can also be etched.



Ⓜ

Mobile frames.

Ideal for moving vessels smoothly and safely without lifting and carrying. Supplied with four castors, two of which are braked. Available with straight or angled flanges.



✂

Butterfly valves (fitted).

316L grade. Available in a variety of sizes detailed on page 20.



Ⓜ

Ball valves (fitted).

316L grade. Available in a variety of sizes, as detailed on page 20.



Ⓜ

Taps (fitted).

316L grade. Available in a variety of sizes, as detailed on page 20..



Ⓜ

Bibs (fitted).

316L grade. Available to add to ball valves, in a variety of sizes, as detailed on page 20.



Hose connectors (fitted).
316L grade. Available to add to ball valves, in a variety of sizes, as detailed on page 20.



Pouring spout.
To aid pouring, spouts can be added to our standard vessels and cans. If a lid is required, this can be extended to cover the spout. With the addition of a pouring spout, a bottom steadying handle is recommended.



Handles.
Swing and side handles can be added or removed from standard items to suit.



O-ring seals.
Can be used in conjunction with our toggle clamps to create an airtight seal to our vessels, cans and pails. All seals are FDA approved and available in Nitrile, Viton® and Silicone.



Hole in lid.
To provide access for tubes, probes, mixer shafts etc. A 25mm hole with swing-side cover is available as standard. Other sizes available on request.



Skirt band removal.
The skirt band can be removed from items that usually have one, to ensure contact between the base of the container and a hot-plate, for example.

Fitted valves, taps, bibs and hose connectors

We can fit a variety of outlets to our containers in a range of sizes. Please refer to the table below for part references. All contact parts are made from 316L grade stainless steel. Other sizes and types of outlet are available on request.

Size	0.25"	0.375"	0.5"	0.75"	1"	1.5"	2"	2.5"	3"	4"
Butterfly Valve	-	-	-	-	BVA6001P	BVA61.5P	BVA6002P	BVA62.5P	BVA6003P	BVA6004P
Ball Valve	-	-	BVA600.5P	BVA600.75P	-	-	-	-	-	-
Tap unit	TAP6.25P	TAP6.38P	TAP6.50P	TAP6.75P	TAP6001P	TAP61.5P	TAP6002P	-	-	-
Bib	BIB6.25P	BIB6.38P	BIB6.50P	BIB6.75P	BIB6001P	BIB61.5P	BIB6002P	-	-	-
Hose Connector	HTC6.25P	HTC6.38P	HTC6.50P	HTC6.75P	HTC6001P	HTC61.5P	HTC6002P	-	-	-

Notes:

- For pharmaceutical applications the fitting of a ball valve or butterfly valve is recommended. These hygienic outlets include Tri-Clamp fittings for easy removal and cleaning.
- Butterfly valves and ball valves include the valve, clamp, ferrule welded to the container, and seal (PTFE as standard on the Ball Valve, EPDM as standard on the Butterfly Valve). Alternative seals are available on request.
- With tap units, 'Size' refers to the BSP size. With Ball and Butterfly Valves, 'Size' refers to the pipe size.
- For valves supplied individually (unfitted), please refer to pages 22–23.

Seals

Our seals are designed to work in conjunction with our toggle clamps to create a spillproof and airtight seal to our containers, lidded cans and pails. We offer the listed O-ring seals as standard. Other profiles and materials are available to special order. All seals are FDA approved.

	Nitrile (NBR)	Viton®	Silicone
Colour	Black	Black	White or red
Temperature range	-40°C to +110°C	-25°C to +204°C	-55°C to +204°C
Recommended product uses	Greases & oils Water Fuels Alcohols Ethylene glycol fluids	Vacuum Most acids and chemicals Lube oils and greases	Dry heat Odourless and non-toxic products
Not recommended for	Ketones Halogenated hydrocarbons Brake fluids Acetone	Ketones Brake fluids	Ketones Acids Brake fluids
Common industry applications	Oil and gas Automotive fuels and oils	Chemical processing Automotive fuels and oils	Pharma and life science projects Food and beverage applications
Mechanical Properties	Good wear resistance Good compression set resistance Good permeation resistance Good chemical and acid resistance	Good wear resistance Excellent compression set resistance Excellent permeation resistance Excellent resistance to weathering	Poor wear resistance Good compression set resistance Good permeation resistance Excellent permeation resistance

Note: To order seals please specify the seal type, container type and container capacity in litres. For 'Mixing and storage containers' use V. For 'Cans with lids' use C. For 'Pails' use P. For example:

- Nitrile V50** = Nitrile seal for 50 litre container.
- Silicone C6** = Silicone seal for 6 litre can with lid.
- Viton P10** = Viton® seal for 10 litre pail.

304 or 316L stainless steel

Stainless steel is a durable, versatile and hygienic material that is resistant to corrosion and looks good.

There are over 200 different types of stainless steel, each with a different range of properties. However, five types account for the bulk of usage, and Pharma Hygiene Products supply product ranges in two types, known as 304 and 316L grade.

304 is an excellent general grade of stainless steel, suited to a range of uses. 316L is, however, recommended for pharmaceutical, cosmetic, food and dairy applications, as it has an even better corrosion resistance than 304 grade. All 316L grade items supplied by Pharma Hygiene Products are tested in-house using an X-ray analyser (see image), which confirms the grade of stainless steel, providing reassurance of the highest quality. Certificates confirming the grade and composition of stainless steel can be supplied on request at an additional cost.

Stainless steel has outstanding resistance to corrosion and attack from a wide range of chemical-based products. It is also more environmentally friendly than plastic disposable equipment, which has been favoured by the industry in recent times. In the face of growing pressure to integrate more sustainable, durable equipment into their processes, manufacturers are looking to stainless steel for a longer lasting solution.

X-ray analyser



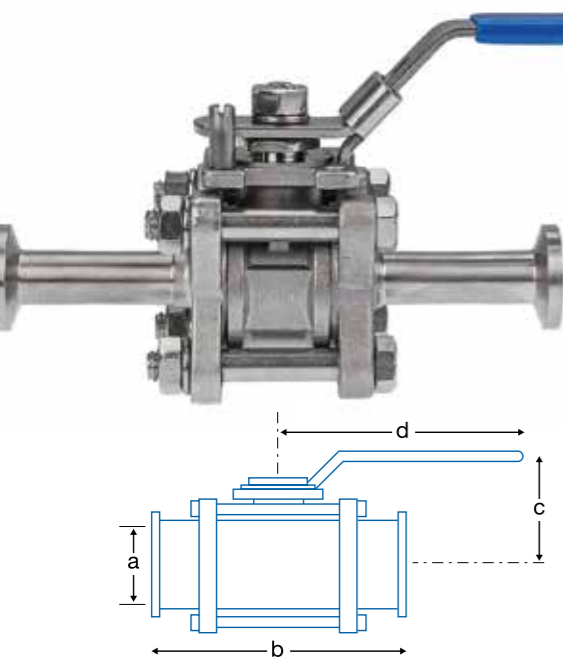
TRI-CLAMP FITTINGS

Easy to assemble and breakdown, Tri-Clamp fittings are ideal for applications requiring an easy method of cleaning to maintain optimum levels of hygiene. Their smooth crevice- and pit-free interiors offer non-contaminating, superior corrosion resistance and long service life.

Pharma Hygiene Products' Tri-Clamp fittings comprise a series of pipes and unisex joints, which are available welded or as separate elements. A gasket is sandwiched between joints and the union is completed with a clamp to create a leak-tight seal.

Our range includes 316L grade stainless steel fittings with outside pipe diameters from ½ inch to 4 inches. Gaskets are available in Silicone, Viton® and EPDM, and full material certification is available on all PHP Tri-Clamp fittings. All product contact surfaces have a surface roughness of 0.8Ra.

Please note that the Tri-Clamp items shown here on pages 22–26 are supplied as individual components. For ball valves or butterfly valves fitted to our range of containers, please see pages 19–20, or contact us for further details.



Tri-Clamp ball valves

Manufactured from 316L grade stainless steel, with a PTFE seal/stem seal, PHP Tri-Clamp ball valves are 100% air tested under water at 100 psi in open and closed positions.

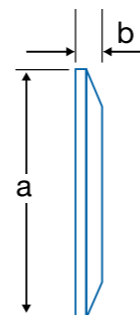
Item code	Nominal pipe size (in)	Flange (mm)	a (mm)	b (mm)	c (mm)	d (mm)
BAL60.5	0.5	25	9.5	132	55	132
BAL60.75	0.75	25	15.9	144	60	131.5
BAL61	1	50.5	22.2	157	69	165
BAL61.5	1.5	50.5	35	183	84	194.3
BAL62	2	64	47.6	199	92	194.3
BAL62.5	2.5	77.5	60.3	240	126.8	252
BAL63	3	91	73	272	136	252
BAL64	4	119	97.4	285.7	242.7	333

Item code	Nominal pipe size (in)	a (mm)	b (mm)
B21732012	0.5	25	5.6
B21732012	0.75	25	5.6
B21732100	1	50.5	7
B21732100	1.5	50.5	7
B21732200	2	64	7
B21732212	2.5	77.5	7
B21732300	3	91	7
B21732400	4	119	9



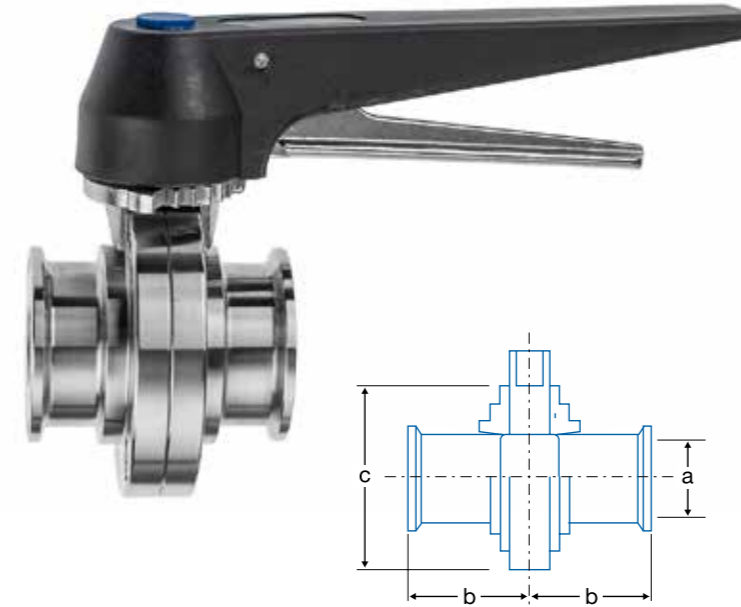
Tri-Clamp blank caps

Manufactured from 316L grade stainless steel and to BS4825, PHP Tri-Clamp blank caps are designed to blank off Ferrule Ends, when used with our Tri-Clamp gaskets and clamps. They are crevice- and pit-free and polished throughout.



Tri-Clamp butterfly valves

Manufactured from 316L grade stainless steel, PHP Tri-Clamp plain butterfly valves include a 12-position lockable open or close handle and four bolts to dismantle for easy cleaning.



Item code	Nominal pipe size (in)	Flange (mm)	a (mm)	b (mm)	c (mm)
BF42900100	1	50.5	22.1	33	79
BF42900112	1.5	50.5	34.8	33	85
BF42900200	2	64	47.5	35	105
BF42960212	2.5	77.5	60.2	35	112
BF42980300	3	91	72.9	38	125
BF42900400	4	119	97.4	38	157

Valves supplied as standard with an EPDM seal. Also available with a silicone seal. Please add '-SS' to the end of the part number if a silicone seal is required.

Tri-Clamp butterfly valve gasket seals

Manufactured from silicone, Viton® or EPDM, PHP butterfly valve gasket seals are designed for use with Tri-Clamp butterfly valves.



Item code	Nominal pipe size (in)
GVB*1	1
GVB*1.5	1.5
GVB*2	2
GVB*2.5	2.5
GVB*3	3
GVB*4	4

Note: in this table, replace the "*" with 'S' if silicone gasket is required, 'V' if Viton® is required or 'E' if EPDM is required.

Tri-Clamp clamps

Manufactured from 316L grade stainless steel, these clamps are supplied with a double hinge for heavy duty use. They are designed to hold the ferrule ends firmly together to create a leak-tight seal.

As a general rule, we would advise that if the clamp, once in use, requires repeated tightening, this may indicate that the gasket should be replaced.

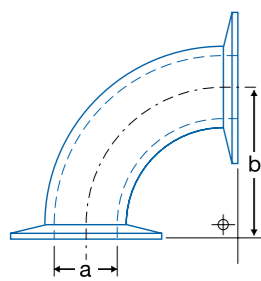


Item code	Nominal clamp size (in)	flange size (mm)
CL1703012	0.5	25
CL1703012	0.75	25
CL1703100	1	50.5
CL1703100	1.5	50.5
CL1703200	2	64
CL1703212	2.5	64
CL1703300	3	91
CL1703400	4	119

Tri-Clamp concentric reducers

Manufactured from 316L grade stainless steel, PHP concentric reducers provide the perfect solution to connecting existing Tri-Clamp connections to newer or changing ones. Available in a range of Tri-Clamp sizes, they have crevice- and pit-free interiors and are polished throughout.

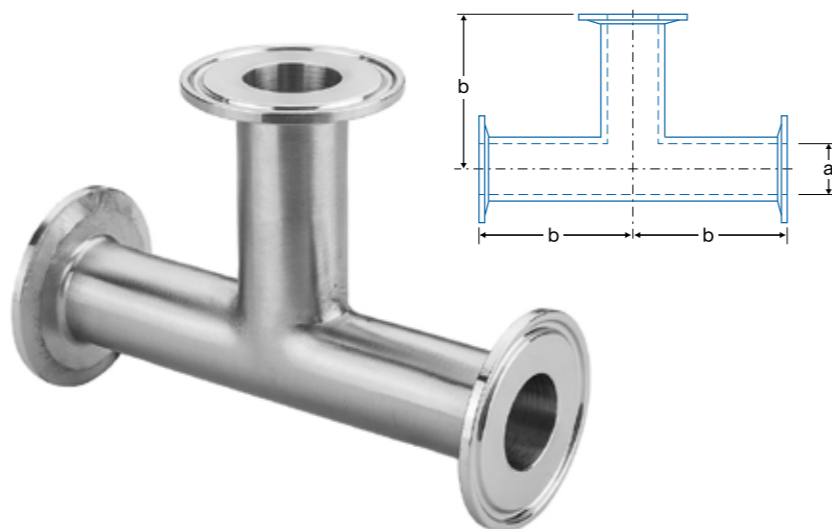
Item code	Nominal size (in)	Item code	Nominal size (in)	Item code	Nominal size (in)
COR61-0.5	1 x 0.5	COR62-1	2 x 1	COR63-2	3 x 2
COR61-0.75	1 x 0.75	COR62-1.5	2 x 1.5	COR63-2.5	3 x 2.5
COR61.5-0.5	1.5 x 0.5	COR62.5-1	2.5 x 1	COR64-1	4 x 1
COR61.5-0.75	1.5 x 0.75	COR62.5-1.5	2.5 x 1.5	COR64-1.5	4 x 1.5
COR61.5-1	1.5 x 1	COR62.5-2	2.5 x 2	COR64-2	4 x 2
COR62-0.5	2 x 0.5	COR63-1	3 x 1	COR64-2.5	4 x 2.5
COR62-0.75	2 x 0.75	COR63-1.5	3 x 1.5	COR64-3	4 x 3



Tri-Clamp elbows

Manufactured from 316L grade stainless steel. PHP 90° Tri-Clamp elbows come with ferrule ends, have crevice- and pit-free interiors and are polished throughout.

Item code	Nominal pipe size (in)	a (mm)	b (mm)
BN22117100	1	22.1	50.8
BN22117150	1.5	34.8	69.9
BN2117200	2	47.5	88.9
BN2117250	2.5	60.2	108
BN2117300	3	72.9	127
BN2117400	4	97.38	168.2



Tri-Clamp equal tees

Manufactured from 316L grade stainless steel, PHP Tri-Clamp equal tees come with ferrule ends, have crevice- and pit-free interiors and are polished throughout.

Item code	Nominal pipe size (in)	a (mm)	b (mm)
TEE61	1	25.4	60.3
TEE61.5	1.5	38.1	69.9
TEE62	2	50.8	88.9
TEE62.5	2.5	63.5	88.9
TEE63	3	76.1	95.3
TEE64	4	101.6	114.2

Tri-Clamp ferrule ends

Manufactured from 316L grade stainless steel, PHP Tri-Clamp ferrule ends are supplied polished and ready for welding to our range of stainless steel pipes. Sizes supplied in 21.5mm, 28mm or 44.5mm lengths.

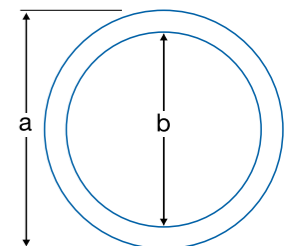
In the item codes, replace * with 'S' for a 21.5mm length, 'M' for a 28mm length, and 'L' for a 44.5mm length.

Item code	Nominal pipe size (in)	a (in)	b (mm)	c (mm)
TR*1722012	0.5	9.5	21.5, 44.5	25
TR*1722034	0.75	15.85	21.5, 44.5	25
TR*1722100	1	22.2	21.5, 28, 44.5	50.5
TR*1722112	1.5	34.9	21.5, 28, 44.5	50.5
TR*1722200	2	47.6	21.5, 28	64
TR*1722212	2.5	60.3	21.5, 28	77.5
TR*1712300	3	73	21.5, 28	91
TR*1722400	4	97.6	21.5, 28	119



Tri-Clamp ferrule end gaskets

Manufactured from silicone, PTFE, Viton and EPDM to BS4825-3, PHP Tri-Clamp ferrule end Gaskets are designed to form a seal between ferrule ends when used in conjunction with our Tri-Clamp clamps. All FDA approved.



Silicone, Viton® or EPDM gaskets

Item code	Nominal pipe size (in)	a (mm)	b (mm)
**1707012	0.5	22	9.52
**1707034	0.75	22	15.87
**1707100	1	50.5	22.2
**1707112	1.5	50.5	34.9
**1707200	2	64	47.6
**1707212	2.5	77.5	60.3
**1707300	3	91	73
**1707400	4	119	97.6

In the item codes shown in the table to the left, replace ** with SS for silicone gaskets, VI for Viton® gaskets or ES for EPDM gaskets. If PTFE Solid material is required, quote the item codes shown in the table to the right.

PTFE Solid gaskets

Item code	Nominal pipe size (in)	a (mm)	b (mm)
PTFE6000.5P	0.5	22	9.52
PTFE6000.75P	0.75	22	15.87
PTFE6001P	1	50.5	22.2
PTFE6001.5P	1.5	50.5	34.9
PTFE6002P	2	64	47.6
PTFE6002.5P	2.5	77.5	60.3
PTFE6003P	3	91	73
PTFE6004P	4	119	97.6

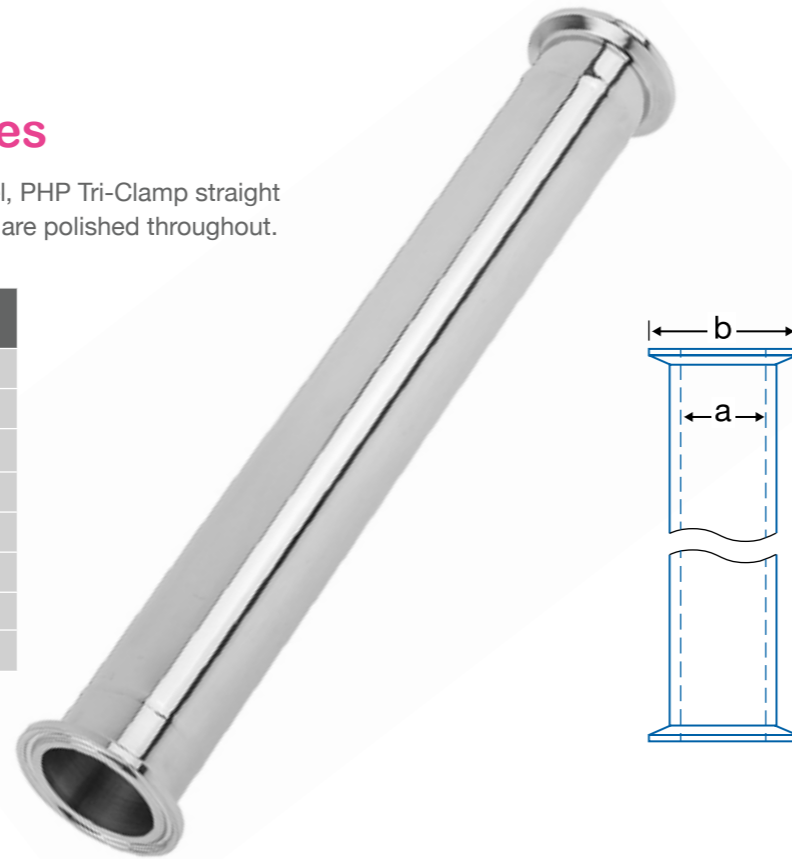


Tri-Clamp straight pipes

Manufactured from 316L grade stainless steel, PHP Tri-Clamp straight pipes have crevice- and pit-free interiors and are polished throughout.

Item code	Nominal pipe size (in)	a (in)	b (mm)
STR60.5-***	0.5	9.5	25
STR60.75-***	0.75	15.85	25
STR61-***	1	22.2	50.5
STR61.5-***	1.5	34.9	50.5
STR62-***	2	64	64
STR62.5-***	2.5	60.3	77.5
STR63-***	3	73	91
STR64-***	4	97.6	119

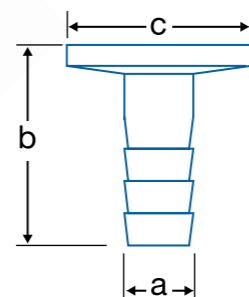
Note: In the item code replace *** with the required length of pipe.



Tri-Clamp hose tail connectors

Manufactured from 316L grade stainless steel, PHP Tri-Clamp hose tail pipes have crevice- and pit-free interiors and are polished throughout.

Item code	Nominal pipe size (in)	a (in)	b (mm)	c (mm)
HTC21772012	0.5	12.7	32	25
HTC21772034	0.75	19	32	25
HTC21772100	1	26	40	50.5
HTC21772150	1.5	38.1	40	50.5
HTC21772200	2	50.8	60	60
HTC21772250	2.5	63.5	60	77.5
HTC21772300	3	76.2	60	91



INDUSTRIES WE SERVE

Pharmaceutical and Healthcare

We have excellent knowledge of the strict regulations that pharmaceutical manufacturers must adhere to, and of GMP standards. Stainless steel mixing and storage containers can all be supplied in 316L pharmaceutical grade stainless steel. The use of an X-ray analyser enables us to provide full traceability on all material, along with the relevant certification.

Cosmetics and Personal Care

Whether the products are exclusive to a luxury spa or hotel, or part of a high-volume range sold through multinational supermarkets, cosmetics and personal care product manufacturers can rely on us to supply the highest quality stainless steel process equipment.

Food and Beverage

All of our stainless steel products are manufactured with food hygiene in mind. Most of our stainless steel containers are crevice- and pit-free to avoid bug traps. Our range of process equipment is ideal for food production environments where manufacturers require stainless steel of the highest quality. We also provide equipment for use in catering environments.

Research and Laboratory

Our products are perfectly suited to use by researchers and laboratory technicians developing and producing liquid-based drugs. All our products conform to strict pharmaceutical regulations, and come with the necessary certification. Customers in this area cover the spectrum of life sciences and clinical diagnostics, striving to improve global healthcare, to create new life-saving treatments for hospitals, or to advance veterinary medicine.

E-Liquid

Manufacturing and mixing processes in the production of E-liquids will benefit from the use of our high quality stainless steel mixing containers and utensils. These products are fully compliant with all new regulations applying to the mixing and blending of vaping oils with flavourings.

PHARMA HYGIENE PRODUCTS

Olympus House • Mill Green Road • Haywards Heath • West Sussex RH16 1XQ • UK

+44 (0)1444 472300

info@pharmahygieneproducts.com

www.pharmahygieneproducts.com



Pharma Hygiene Products Ltd is part of the Adelphi Group of Companies

The Adelphi Group of Companies

Adelphi Manufacturing

Adelphi Manufacturing offers manual and semi-automatic equipment designed to aid the efficient opening, filling, closing and inspecting of a variety of containers such as capsules, ampoules, vials, syringes, tubes and bottles. It also offers a range of pharmaceutical dispensing equipment, and is the sole UK agent for TGM tube fillers and ROTA ampoule fillers.

sales@adelphi.uk.com
www.adelphi-le.com

Adelphi Healthcare Packaging

Suppliers of a comprehensive range of glass, plastic and aluminium containers, high precision dispensing systems, various closures including stoppers, crimp seals and screw caps as well as a range of boxes, held in stock ready for immediate dispatch worldwide.

sales@adelphi-hp.com
www.adelphi-hp.com

Adelphi Masterfil

Manufacturers of filling and capping machinery, from single machines to complete turnkey lines. Adelphi Masterfil primarily serves the lube oil, chemical (including household and agrochemical), cosmetics and food industries.

sales@masterfil.com
www.masterfil.com

Pharma Hygiene Products

Pharma Hygiene Products is a leading supplier of high quality stainless steel process equipment, from standard utensils and containers, to custom designed mixing vessels to suit a number of manufacturing industries. All are made to pharmaceutical standards in 304 and 316L grade stainless steel.

info@pharmahygieneproducts.com
www.pharmahygieneproducts.com



**Adelphi
Manufacturing**



**Adelphi Healthcare
Packaging**



Masterfil®



**Pharma Hygiene
Products**



Pharma Hygiene Products

www.pharmahygieneproducts.com

